

# Simulation of TCSC controller for power factor improvement using MATLAB Simulink

Kapadia Mohmedhusein<sup>1</sup>, Hardik Mistry<sup>2</sup>, Vivek Nai<sup>3</sup>, Doodhwala Mubashshir<sup>4</sup>, Adil Kazi<sup>5</sup>

<sup>12345</sup>Department of Electrical Engineering, Shroff S. R. Rotary Institute of Chemical Technology, Ankleshwar, India

## Abstract:

The industrial power demands increases day by day. As we know that 80 % load of industry is motor which required reactive power. Hence reactive power compensation and power factor improvement is required. This research paper presents power factor improvement by TCSC controller. Here for different value of firing angle resultant power factor is tabulated and simulated using MATLAB Simulink.

*Keywords* —FACTS, MATLAB, TCSC, Venier.

## I. Introduction

After the restructuring of the power system to improve the performance of the power system power electronics controller facts devices are used for alternative current transmission line. To stabilize the complex power system in terms of transient stability improved voltage profile in large complex system facts devices installed in network. Transmission line congestion is one of most major difficulties in the operation of restructured power systems. Now a day demand of power system is increased as well as generation of power also increase but it is not possible to develop new transmission line to feed the power from generation to load due to cost constrain and environmental condition. In order to avoid huge investment on generating and transmission system together, improving the operating performance facts are used [1] [2]. Flexible alternating current transmission systems are capability of various electrical parameters in transmission circuits. Facts devices used in thyristor controlled series compensator, static VAR compensator (SVC), Thyristor controlled phase angle regulator (TCPAR), static compensator (STATCOM), unified power flow controller etc. FACTS devices have been mainly used voltage stability, power

flow control and transfer capability enhancement for power system. TCSC is the important member of facts. It is applied to utility long transmission lines in the modern power system. It is use the operation and control of power flow decreasing unsymmetrical components, reducing net loss, providing voltage support, limiting short circuit currents, Mitigating sub synchronous resonance, damping the power oscillation and enhancing transient stability.[5][12][13]

FACTS help us to less difficulty by enblinding to get the most transmission facility and enhance grid reliability. In advance technology is paramount for the reliable and secure operation of power system. To achieve the secured and reliable operation advance control technology i.e. facts are used. Facts technology provides advance solutions as cost effective alternative to new transmission line construction. Facts technology allows for improved transmission system operation with minimum infrastructure investment, environment impact and implementation time compare to the construction of new transmission line.[15]

## II. Series compensation

FACTS controllers can be broadly divided into four categories, which include series controllers, shunt controllers, combined series-series controllers, and combined series-shunt controllers.. to control the series impedance A series controller is mainly used in line by including the capacitive effect which is contract to the inductive effect of the transmission line[10].

The reduction of the series impedance of the transmission line effects on the voltage drop across the line i.e the voltage at the receiving buses may improve because of the reduction of the series impedance. The overall losses of the system may also reduce with the control of the series impedance of the transmission line.[11]

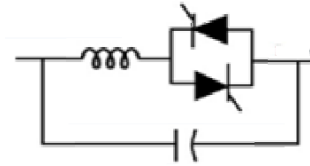
The reactive losses of the system are majorly effect with the change of impedance of the transmission line. With the increase of the voltage profile also it may conclude that the reactive power losses of the system reduce. The basic series compensating device without controlling parameter is series capacitance. The scope of control ability of the series Capacitance can be increased by including power semiconductor devices which is called Thyristor Controlled Series Capacitor (TCSC).[18][21].

### **III. TCSC- Thyristor Controlled Series Capacitor:-**

TCSC - Thyristor Controlled Series Capacitor compensator consisting of the series compensating capacitor, whereto is parallel connected thyristors controlled reactor (TCR), and it is one of FACTS devices which are mainly used to control active power flow in power system and increase the transmission power lines capacity. TCSC is the combination of Thyristor control reactor and capacitor. It is controlled capacitance reactance.[17][20]

Capacitor bank C, bypass inductor L and bidirectional thyristors are main three components of TCSC. TCSC is costly device. It is find to optimal size and location in power system so this device maximum benefit be achieved.[3][5]TCSC is involved in a series to line and allows changing impedance of the transmission line and effect on

flows of power. Control is fast, efficient and increased between the transmitted powers. Basic scheme of TCSC device is shown in the follows figure



**Figure A:- TCSC controller**

So the basic idea behind the TCSC system is provide continuously variable impedance by means of partially cancelling the effective compensating capacitance by the means of TCR. So the transmission line compensating by means of TCSC can used to increase the power transfer capability improve transient stability, reduce transmission losses. The design criteria to find the value for inductor and capacitor for TCSC depends on the net reactance of the transmission line and on the power flow through the line [6][7][8][9].

### **IV. Operation of TCSC:-**

TCSC is one of the popular series FACTS controllers. It has been in use for many years to increase line power transfer as well as to enhance system stability.[16] The firing angles of the thyristors are controlled to adjust the TCSC reactance in accordance with a system control algorithm, normally in response to some system parameter variations. There are mainly three modes of operation of TCSC:-

#### **A. Mode I. Thyristor switched reactor mode:**

The thyristor is gated for  $180^\circ$ . The susceptance of the reactor is greater than capacitor. Most of the line current passes through reactor and thyristor valves. For protection of capacitor against overvoltage, this mode is used. [4]

#### **B. Mode 2 Waiting Mode:**

No current pass through valves and gate pulses are blocked. The reactance Of TCSC and fixed capacitor is similar. That's why this mode is awaited mostly. [4]

#### **C. Mode 3 Vernier mode:**

Here the thyristor valves are operated by two gate pulses in the two region i.e. capacitive Vernier region ( $\alpha_{min} < \alpha < 90$ ) and inductive Vernier region is reduce to  $180^\circ$ . Vernier operation the natural characteristic of the series capacitor of compensated line cannot change by bypassing the series capacitor and high degree of compensation can cause sub synchronous Oscillations. [4]

### V. Simulation and Result:-

We made simulation of open loop control of TCSC controller for a case study:-

#### Data(Case Study):-

The problem is as follow:-

$V_s=230$  V

Rload=100 ohm

Xload=102 ohm

PF of load=0.7

C of TCSC = 40 microF

L of TCSC = 0.1274 H

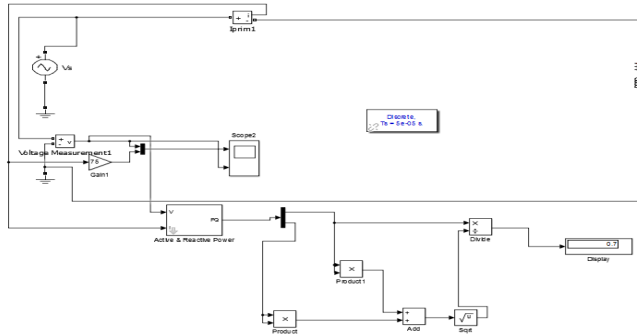


Figure B:-Simulation Model of problem

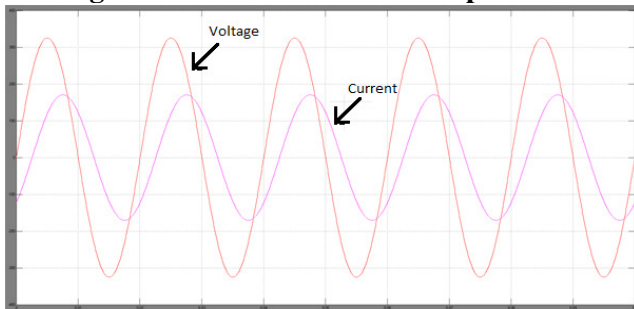


Figure C:-Waveforms of V & I of load

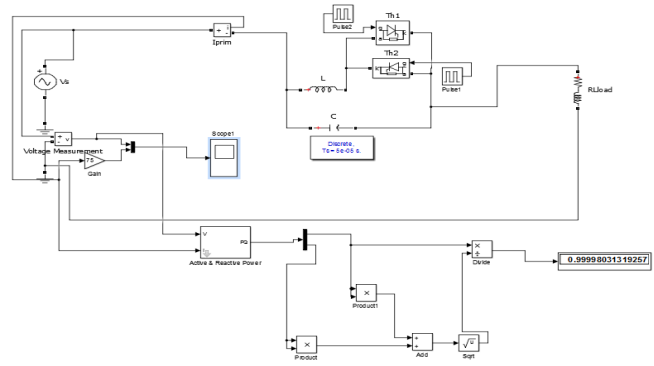


Figure D:-Simulation Model using TCSC

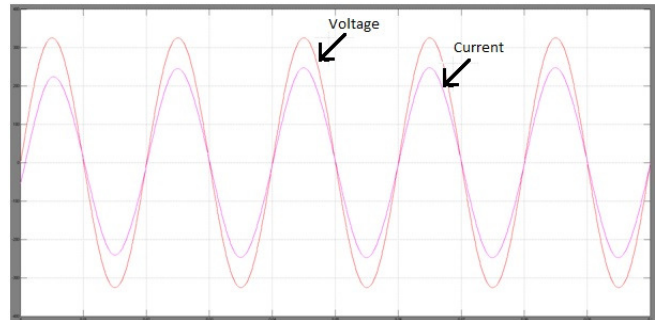


Figure E:-Waveforms of V & I after application of TCSC

Results:-

Firing angle of TCSC	Power factor	Remarks
0°	0.7879	Lag
10°	0.8703	Lag
20°	0.9279	Lag
30°	0.968	Lag
40°	0.9913	Lag
50°	0.9998	Lag
53°	0.9999	Lag
60°	0.9973	Lead
70°	0.9889	Lead
80°	0.9801	Lead
90°	0.9749	Lead

### VI. Conclusion:-

The power factor is 0.7 lagging which is improves up to 0.9999 leading by using TCSC controller.

## **VII. References:-**

- [1] Hingorani, G. N., Gyugyi, L.: Understanding FACTS. Concepts and Technology of Flexible AC Transmission Systems. New York: IEEE Press, 2000. 432 p. ISBN 0-7803-3455-8.
- [2] K.R. Padiyar, "FACTS controllers in power transmission and distribution", New age international publishers, 2007. Available [www.newagepublishers.com](http://www.newagepublishers.com)
- [3] Reza Etemad, Reza Navabi And Heidar Ali Shayanfar, "optimal Location And Setting Of TCSC Under Single Line Contingency Using Mixed Integer Nonlinear Programming", Environment And Electrical Engineering (EEEIC), 2010 9th International Conference.
- [4] Anita Kanwar, Rachit Saxena, "Behavior Of TCSC In Transmission Line Using MATLAB/Simulation", Engineering vol. 3, Issue 5, May 2015 international Journal Of Innovative Research In Electrical, Electronics, Instrumentation And Control
- [5] Sangeeta Jamhoria, Laxmi Srivastava, "Applications Of Thyristor Controlled Series Compensator In Power System: An Overview", Power Signals Control And Computations (EPSCICON), 2014 International Conference
- [6] J. V. Kadia, J. G. Jamnani, "modelling And Analysis Of TCSC Controller For Enhancement Of Transmission Network", ISSN 2250-2459, Volume 2, Issue 3, March 2012
- [7] B. S. Rigby, C. K. Ndlovu, R. G. Harley, "A Thyristor Controlled Series Capacitor Design for Research Laboratory Application", A/ricon, Yol.2 ,pp.903 - 908, 1999.
- [8] K. Manjusha ,s. Balamurugan, N. Kirthika, "Real Power Flow Control in Transmission System using TCSC", 2016 Biennial international Conference on Power and Energy Systems: Towards Sustainable Energy (PESTSE),
- [9] D.P. Kothari and I.J. Nagrath, "Modern Power System Analysis", Tata McGraw-Hill Education, 2003
- [10] Mr.A.Hema Sekhar , Dr.A.Lakshmi Devi "Voltage Profile Improvement and Power System Losses Reduction with Multi TCSC Placement in Transmission System by Using Firing Angle Control Model with Heuristic Algorithms", International conference on Signal Processing, Communication, Power and Embedded System (SCOPE)-2016
- [11] Dr. Ali Abdulwahhab Abdulrazzaq "Improvement the Performance of the Power System by using an TCSC Device" IOSR Journal of Electrical and Electronics Engineering (IOSR-JEEE) e-ISSN: 2278-1676, p-ISSN: 2320-3331, Volume 12, Issue 2 Ver. II (Mar. – Apr. 2017), PP 05-10 [www.iosrjournals.org](http://www.iosrjournals.org)
- [12] Stéphane Gerbex, Rachid Cherkaoui, and Alain J. Germond, "Optimal Location of Multi-Type FACTS Devices in a Power System by Means of Genetic Algorithms", IEEE Trans.on Power Systems, vol. 16, no. 3, Aug ,2001.
- [13] Martin German-Sobek, \_ubomír Be\_a, Roman Cimbala, "Using of the Thyristor Controlled Series Capacitor in Electric Power System", ELEKTROENERGETIKA, Vol.4, No.4, 2011
- [14] Pável Zúñiga Haro, and Juan Manuel Ramírez Arredondo, "Experimental results on a lab scale single-phase TCSC", Member, IEEE
- [15] Chico Hermanu Brillianto Apribowo, Sasongko Pramono Hadi "Design of Experiments to Parameter Setting in a Genetic Algorithm for Optimal Power Flow with TCSC Device" 2016 2nd International Conference of Industrial, Mechanical, Electrical, Chemical Engineering (ICIMECE)
- [16] J. V. Kadia, J. G. Jamnani "Modelling and Analysis of TCSC Controller For Enhancement of Transmission Network", International Journal of Emerging Technology and Advanced Engineering Website: [www.ijetae.com](http://www.ijetae.com) (ISSN 2250-2459, Volume 2, Issue 3, March 2012)
- [17] C. Palanichamy , Wong Yi Chyn and Cassandra, "Power System Performance Enhancement through Compensation Techniques "Indian Journal of Science and Technology, Vol 8(19)
- [18] Ramakanta Jena , Sarat Chandra Swain ,Prafulla Chandra Panda ,Agnidipta Roy, " Analysis of Voltage And loss Profile Using Various FACTS Devices", International

conference on Signal Processing, Communication, Power and Embedded System (SCOPE)-2016

- [19] G.Venkata Lakshmi K.Amaresh, “Optimal Power Flow with TCSC using Genetic Algorithm “2012 IEEE International Conference on Power Electronics, Drives and Energy Systems December 16-19, 2012, Bengaluru, India
- [20] Abdel-Moamen M. A. Narayana Prasad Padhy, “Power Flow Control and Transmission Loss Minimization Model with TCSC for Practical Power Networks”
- [21] M.Arun Bhaskar, C.Subramani, M.Jagdeesh Kumar, ”Voltage Profile Improvement Using FACTS Devices: A Comparison between SVC, TCSC and TCPST”, 2009 International Conference on Advances in Recent Technologies in Communication and Computing.